



&  
DV3732

DIRECT VENT GAS FIREPLACE



HEAT & GLO

# DV3732

## FEATURES & BENEFITS

- 16-1/4" deep profile—perfect for smaller space requirements
- Flex line and gas shut off for fast plumbing rough-in  
Installed junction box for optional blower or remote control
- Adjustable valve - In case of a power failure, Heat & Glo gas fireplaces with standard IntelliFire ignition will continue to operate
- Screen mesh eliminates glass glare and provides a measure of protection from accidental contact
- Ships with standard full firescreen front
- 3-piece, 3-inch black or brushed stainless steel metal trim kit provides cost-effective transition from unit to wall (550-Trim3-BK, 550-Trim4-BK, 550-Trim3-SS, 550-Trim4-SS)

## INTELLIFIRE IGNITION SYSTEM



The IntelliFire™ Ignition System (IPI) is an advanced intermittent pilot ignition system. IPI constantly monitors ignition, ensures safe functioning and conserves up to \$10/month in energy costs.

## DIRECT VENT TECHNOLOGY



Direct Vent fireplaces remove 100% of combustion exhaust and odors outside of the home. These sealed fireplaces provide optimal heat, conserve energy and ensure clean, safe indoor air quality.



## OPTIONAL TRIM KIT



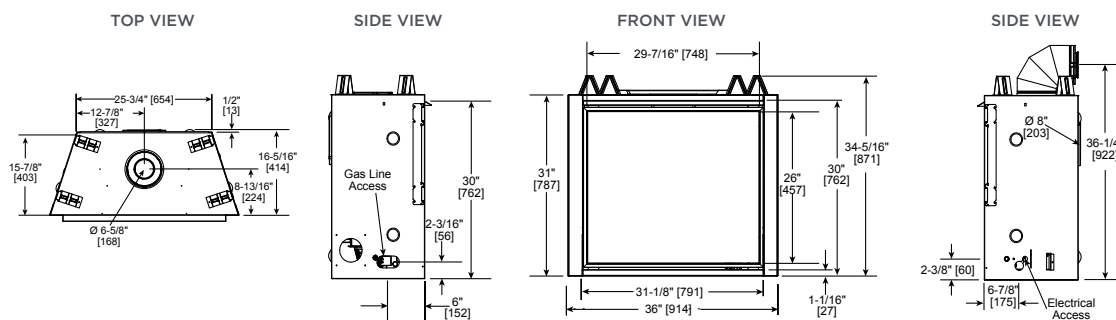
550-TRIM4-SS



550-TRIM3-BK

## DV3732 SPECIFICATIONS

MODEL	FRONT WIDTH		BACK WIDTH		HEIGHT		DEPTH		GLASS SIZE	BTU/HOUR INPUT
	UNIT	FRAMING	UNIT	FRAMING	UNIT	FRAMING	UNIT	FRAMING		
DV3732	36	37	25-3/4	37	34-5/16	34-3/4	16-5/16	16-1/4	27-3/16 x 18-1/16 [691 x 459]	13,500 - 19,100 (NG) 14,500 - 19,300 (LP)
	[913]	[940]	[654]	[940]	[872]	[883]	[414]	[413]		



Dimensions above are in inches and millimeters. Product information provided is not complete and is subject to change without notice. Product installation must adhere strictly to instructions accompanying product. We recommend measuring individual units at installation. Assumes the use of 1/2" Sheetrock. NOTE: Combustible material should not be installed over the face. Make sure you do NOT cover the decorative door opening.

Refer to installation manual for detailed specifications on installing this product. Heat & Glo reserves the right to update units periodically. The flame and ember appearance may vary based on the type of fuel burned and the venting configuration used. Actual product appearance, including flame, may differ from product images.

For complete information on this model, please contact us at:

**HEAT & GLO**  
 No one builds a better fire

Web: [heatnglo.com](http://heatnglo.com)  
 Phone: (888) 427-3973 (952) 985-6000  
 E-mail: [info@heatnglo.com](mailto:info@heatnglo.com)

[facebook.com/HeatandGlo](https://www.facebook.com/HeatandGlo)

[twitter.com/HeatandGlo](https://twitter.com/HeatandGlo)

[youtube.com/HeatandGlo](https://www.youtube.com/HeatandGlo)

HNG-1103U-0315

## LIMITED LIFETIME WARRANTY<sup>1</sup>

The strongest in the industry, Heat & Glo® provides a limited lifetime warranty on the most important aspects: firebox and heat exchanger.

<sup>1</sup> For full warranty details, go to [www.heatnglo.com](http://www.heatnglo.com).

Fireplace glass and other surfaces get extremely HOT and can cause severe burns if touched. Do not remove the protective safety screen from the front of the glass. Keep a safe distance away. To learn more visit [www.heatnglo.com/fireplacesafety](http://www.heatnglo.com/fireplacesafety)

