

**heatilator**<sup>®</sup>  
*The first name in fireplaces*



**See-Through**  
wood-burning fireplaces

# See-Through wood-burning fireplaces

## Endless Possibilities

Enjoy a roaring fire—from more places. See-through models provide more possibilities to add a Heatilator® fireplace to more spaces. Make each your own with multiple finishing options.

Compact footprints and flexible venting options highlight the versatility of these models. Experience the power of fire in more ways.

### Features

- 36 and 42-inch viewing areas
- Authentic masonry appearances
- Clean face design
- Multiple finishing options
- Outside air kit standard
- A hearth extension is required
- Tested and listed to UL standards

### Options

- Bi-fold glass doors
- Gas logs
- Remote controls (for gas logs)
- Chimney air kit



**Above and Cover:**  
Shown with plymouth mantel and beige marble

### Door Options



Bi-Fold Glass Doors

### Gas Logs



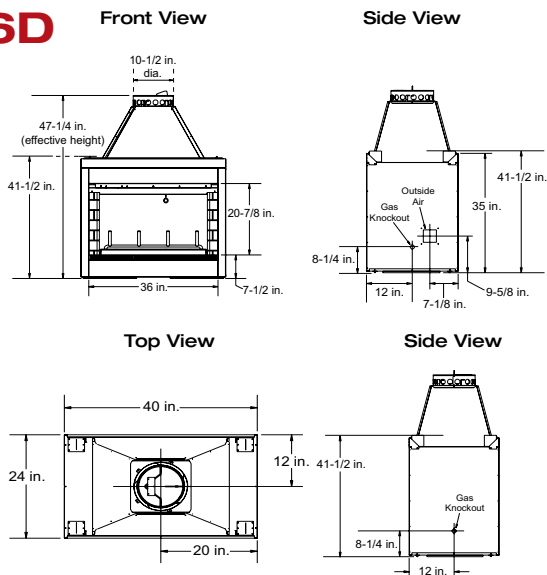
Fireside Gas Logs

### Models Available

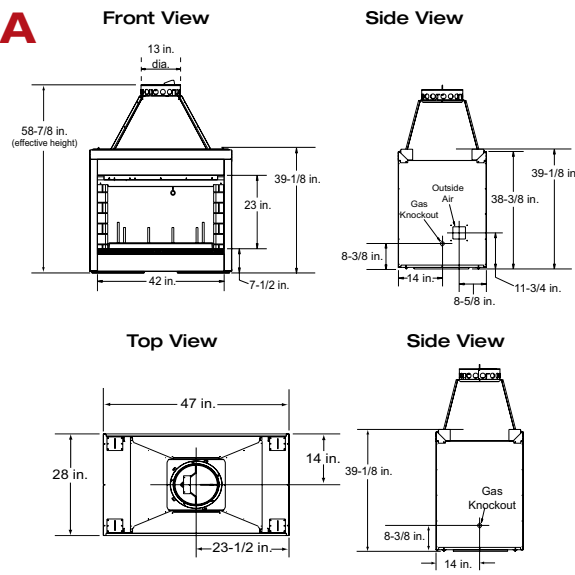
MODEL	HEAT	VIEWING WIDTH	VENTING	OUTSIDE AIR
ST36D	Radiant	36"	SL300 or SL1100 Series	Standard
ST42A	Radiant	42"	SL300 or SL1100 Series	Standard

### Technical Specifications

#### ST36D



#### ST42A



Available From

**heatilator®**  
The first name in fireplaces

Phone: 800-927-6841

Web: heatilator.com

facebook.com/Heatilator

twitter.com/Heatilator

youtube.com/HeatilatorFireplaces

#### Limited Lifetime Warranty<sup>1</sup>

The strongest in the industry, Heatilator provides a limited lifetime warranty on wood-burning products of the most important aspects: firebox and heat exchanger.

<sup>1</sup>: For full warranty details go to heatilator.com.

The information provided in this literature is for planning purposes only and subject to change. Please consult the installation manual for actual installation. Actual product appearance may differ from product images.

Fireplace glass and other surfaces get extremely HOT and can cause severe burns if touched. Do not remove the protective safety screen from the front of the glass. Keep a safe distance away. To learn more visit [www.heatilator.com/fireplacesafety](http://www.heatilator.com/fireplacesafety)



HTL-1099U-0415