

heatilator[®]
The first name in fireplaces



Multi-Sided Series

Direct Vent Gas Fireplaces

Available IntelliFire[®]
app and voice control



a room
with a view



Multi-Sided Fireplaces

The Heatilator gas multi-sided series offers unmistakable views of the fire. This series adds architectural interest to every home, with a dramatic peninsula model offering three-sided viewing, a see-through model adding warmth and beauty to two separate rooms, or a corner model designed to light up tight spaces. The design possibilities for dividing a space is easy with these unique multi-sided fireplaces.

Enjoy total control while operating your fireplace. It is simple, smart and safe with IntelliFire Touch®. Select the touchscreen remote control or wireless wall switch for the solution that fits your life.

With unsurpassed dependability and exceptional value, the Heatilator gas multi-sided series allows you to simply enjoy the view.

Features

- See-through, pier and corner configurations offer dramatic views of the fire, each with 36" viewing area
- Control options include IntelliFire® app, compatible with voice assistants Amazon Alexa and Google Assistant
- Variable flame control up to 38,000 BTUs
- Standard black metal interior
- Convert from traditional to contemporary with a modern conversion kit¹



See-Through with modern conversion kit



Cover: Pier with Firescreen front, reflective black glass and modern conversion kit with scarlet glass

Left: See-through with Firescreen front, weathered traditional brick and logs

Above: Right corner with Firescreen front, brick interior and logs

1 See-through and pier models only

Options and Accessories

Front



Firescreen Front - Available in black

Interiors



Weathered Traditional Brick
See-through and Pier Only



Reflective Black Glass
See-through and Pier Only



Brick
Left & Right Corner Only

Interior Media Available only for See-Through and Pier with optional contemporary kit.



Crystal Glass



Ebony Glass



Cobalt Glass



Amber Glass



Scarlet Glass



Cast Stones

Controls

IntelliFire App

All the features of a remote control with an app installed on your smart device. Monitor your fire from anywhere or even control it with the sound of your voice. IntelliFire is compatible with voice assistants Amazon Alexa and Google Assistant.



Touchscreen Remote

Features: on/off, flame height adjustment, fan speed, lights adjustment, thermostat mode, room temperature readout, child lock, timer mode, battery backup, cold climate mode, power vent, wall docking station (fan, lights and power vent are dependent on your fireplace).



Wireless Wall Switch

Features: on/off, battery strength indicator, cold climate mode



Additional Options Not Pictured

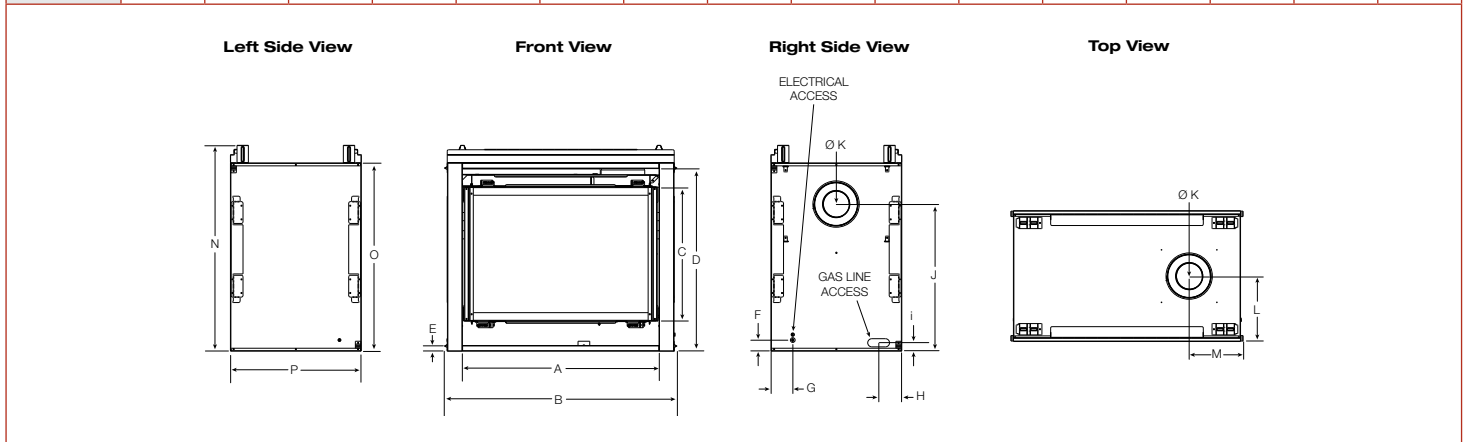
- Fan kit: extends the heating range of your fireplace
- LP gas conversion kit

Venting

Direct Vent: DVP pipe and SLP pipe

See-Through Technical Specifications

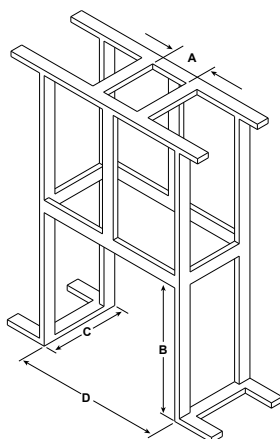
MODEL	A	B	C	D	E	F	G	H	I	J	K	L	M	N	O	P
ST-DV36IN	36" [914]	42-1/2" [1080]	24-1/2" [622]	33-1/2" [851]	1" [25]	2-1/8" [54]	4-1/8" [105]	4-1/4" [108]	1-1/2" [38]	27" [686]	8" [203]	12" [305]	9-1/2" [241]	38" [965]	34-5/8" [879]	24" [610]



See-Through with Firescreen front, reflective black glass interior and modern conversion kit with crystal and ebony glass

Framing Dimensions

ST-DV36IN	
A Rough Opening (Width)	10" [254] DVP Pipe 8-5/8" [219] SL Pipe
B Rough Opening (Height)	38-1/8" [968]
C* Rough Opening (Depth)	23" [584] DVP Pipe
D Rough Opening (Width)	43" [1092]



All dimensions in inches. The rough framing dimensions shown represent the distance from stud to stud only and do not take into consideration the addition of drywall. Please refer to installation instructions for complete specifications and drawings when installing this product. Visit www.heatilator.com to download.

*Adjust framing dimensions for interior sheathing (such as sheetrock)

Efficiencies

Steady State - Since most homeowners use their fireplaces for an extended time while they are in the room, Steady State measures how efficiently your fireplace converts fuel to heat once it is warmed up and running in a "steady state".

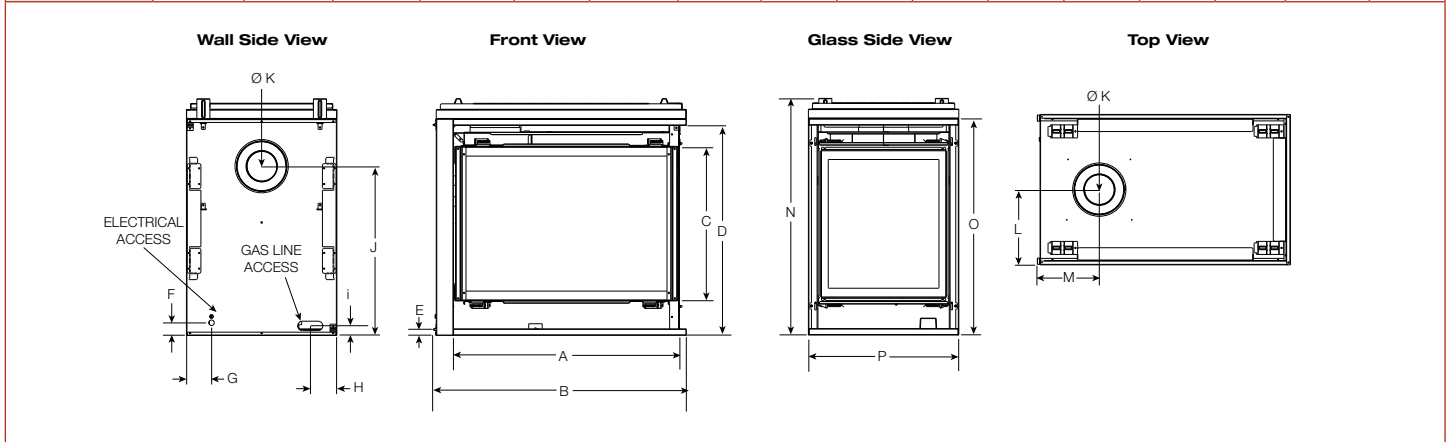
AFUE - AFUE rating is more typically used with appliances, like your furnace, that continually cycle on and off to maintain a constant temperature.

EnerGuide (CSA P.4.1-15) - EnerGuide is a rating used in Canada to measure annual fireplace efficiency.

RATING	ST-DV36IN
Steady State	72%
AFUE	53%
EnerGuide (CSA P.4.1-15)	58%

Pier Technical Specifications

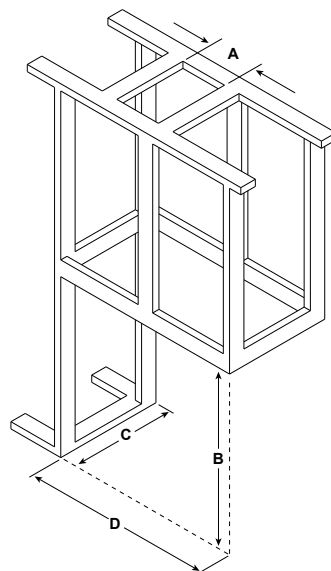
MODEL	A	B	C	D	E	F	G	H	I	J	K	L	M	N	O	P
PIER-DV36IN	36" [914]	40-1/2" [1029]	24-1/2" [622]	33-1/2" [851]	1" [25]	2-1/8" [54]	4-1/8" [105]	4-1/4" [108]	1-1/2" [38]	27" [686]	8" [203]	12" [305]	9-1/2" [241]	38" [965]	34-5/8" [879]	24" [610]



Pier with Firescreen front and reflective black glass interior

Framing Dimensions

PIER-DV36IN	
A Rough Opening (Width)	10" [254] DVP Pipe 8-5/8" [219] SL Pipe
B Rough Opening (Height)	38-1/8" [968]
C* Rough Opening (Depth)	23" [584] DVP Pipe
D Rough Opening (Width)	40" [1016]



* Adjust framing dimensions for interior sheathing (such as sheetrock)

Efficiencies

Steady State - Since most homeowners use their fireplaces for an extended time while they are in the room, Steady State measures how efficiently your fireplace converts fuel to heat once it is warmed up and running in a "steady state".

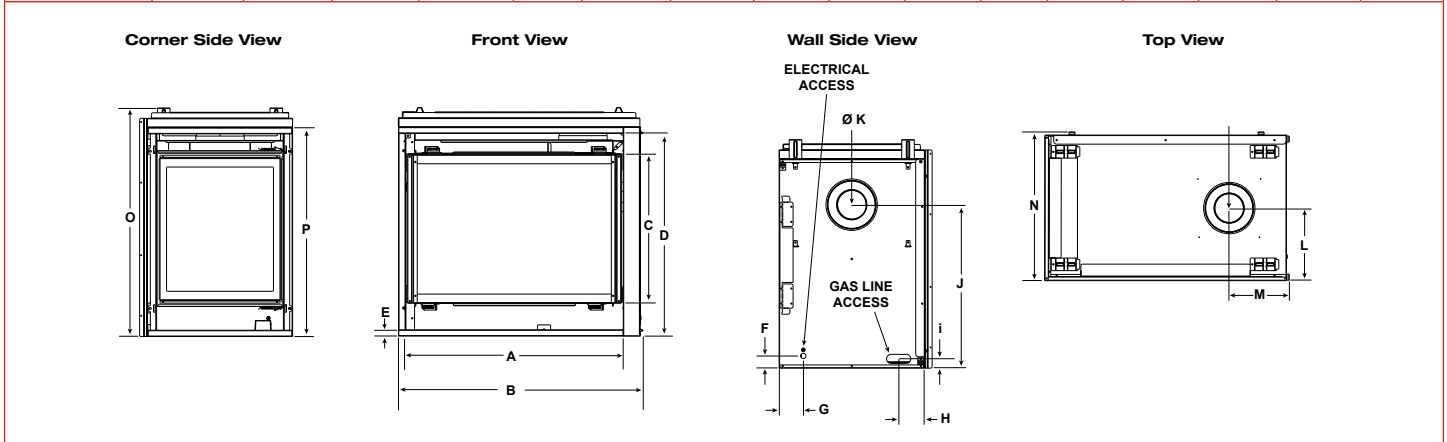
AFUE - AFUE rating is more typically used with appliances, like your furnace, that continually cycle on and off to maintain a constant temperature.

EnerGuide (CSA P.4.1-15) - EnerGuide is a rating used in Canada to measure annual fireplace efficiency.

RATING	PIER-DV36IN
Steady State	75%
AFUE	68%
EnerGuide (CSA P.4.1-15)	58%

Corner Technical Specifications

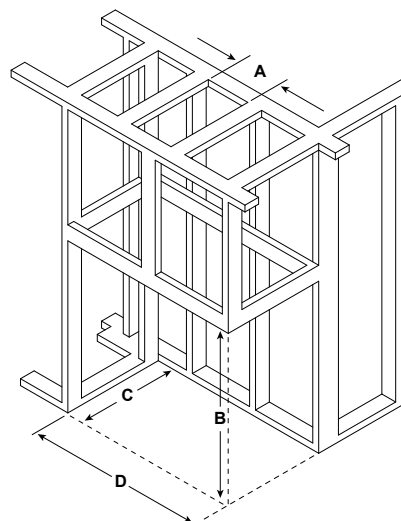
MODEL	A	B	C	D	E	F	G	H	I	J	K	L	M	N	O	P
LCOR/RCOR-DV36IN	36" [914]	40-1/2" [1029]	24-1/2" [622]	33-1/2" [851]	1" [25]	2-1/8" [54]	4-1/8" [105]	4-1/4" [108]	1-1/2" [38]	27" [686]	8" [203]	12" [305]	9-1/2" [241]	24-1/2" [622]	38" [965]	34-5/8" [879]



Corner with Firescreen front and weathered brick interior

Framing Dimensions

LCOR/RCOR-DV36IN	
A Rough Opening (Width)	10" [254] DVP Pipe 8-5/8" [219] SL Pipe
B Rough Opening (Height)	38-1/8" [968]
C* Rough Opening (Depth)	24" [610] DVP Pipe
D Rough Opening (Width)	40" [1016]



*Adjust framing dimensions for interior sheathing (such as sheetrock)

Efficiencies

Steady State - Since most homeowners use their fireplaces for an extended time while they are in the room, Steady State measures how efficiently your fireplace converts fuel to heat once it is warmed up and running in a "steady state".

AFUE - AFUE rating is more typically used with appliances, like your furnace, that continually cycle on and off to maintain a constant temperature.

EnerGuide (CSA P.4.1-15) - EnerGuide is a rating used in Canada to measure annual fireplace efficiency.

RATING	LCOR/RCOR-DV36IN
Steady State	72%
AFUE	59%
EnerGuide (CSA P.4.1-15)	54%

Technology

Direct Vent Technology

With Direct Vent fireplaces and inserts, 100% of combustion exhaust and fumes are removed from your home. These sealed fireplaces provide optimal heat, conserve energy and ensure clean, safe indoor air quality.

IntelliFire Touch Ignition System

IntelliFire Touch is our most advanced intermittent-pilot ignition (IPI) system, making operating your appliance simple, smart and safe. Select from the IntelliFire app, touchscreen remote or wireless wall switch for the solution that fits your life.

Exceptional Value + Dependability

Why do contractors, architects and homebuyers trust Heatilator? Because we mix value with dependability. Established in 1927, Heatilator has built a long standing reputation for providing quality, dependable hearth products at unbeatable values. Today, Heatilator remains the most preferred, recommended and installed fireplace brand among building professionals.

This Page: See-Through log and ember detail

Available from

heatilator
The first name in fireplaces

800-927-6841 | heatilator.com

[facebook.com/Heatilator](https://www.facebook.com/Heatilator)

twitter.com/Heatilator

[youtube.com/HeatilatorFireplaces](https://www.youtube.com/HeatilatorFireplaces)

HTL-1057-0222

Limited Lifetime Warranty¹

The strongest in the industry, Heatilator provides a limited lifetime warranty on the most important aspects: firebox and heat exchanger.

¹ For full warranty details go to heatilator.com.

The information provided in this literature is for planning purposes only and subject to change. Please consult the installation manual for actual installation. Actual product appearance may differ from product images.

Fireplace glass and other surfaces get extremely HOT and can cause severe burns if touched. Keep a safe distance away. To learn more visit www.heatilator.com/fireplacesafety.

Google, YouTube and Google Home are trademarks of Google LLC. Amazon, Alexa, and all related logos are trademarks of Amazon.com, Inc. or its affiliates.

